



# PD8000 MORTISE LOCKSETS FOR SLIDING AND POCKET DOOR

With Surface Pulls Or Flush Pulls

## INSTALLATION INSTRUCTIONS

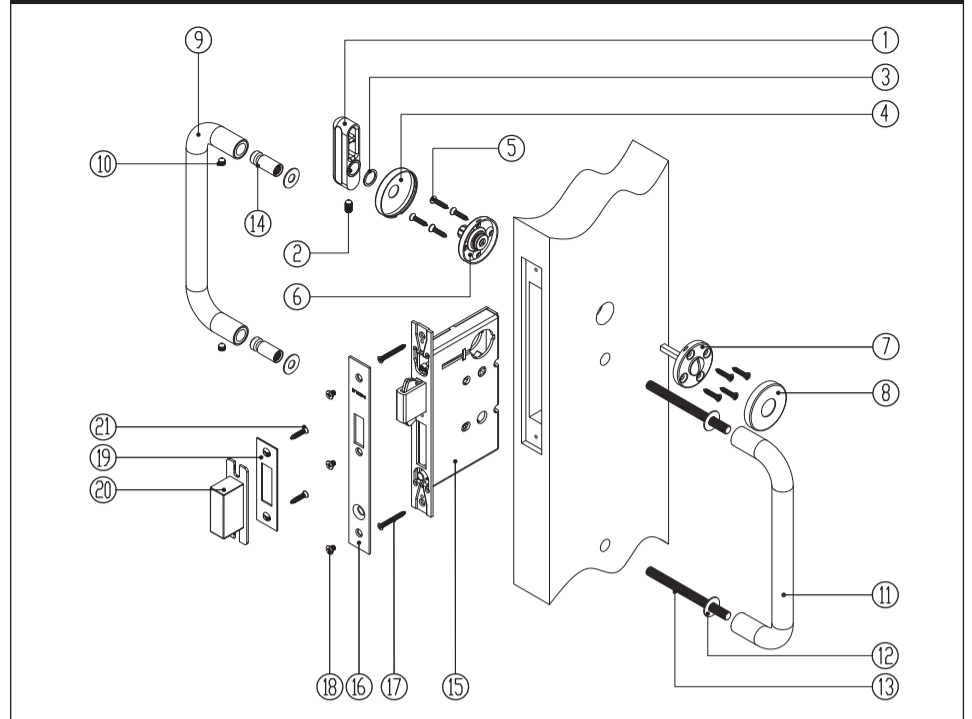
(PM-IS2500-V150505)



### Unison Hardware Inc.

6 Wayne Court, Sacramento, CA 95829, USA  
Tel: +1.916.388.1888 Fax: +1.916.388.8322  
Email: info@unisonhardware.com  
Web: http://www.inoxproducts.com

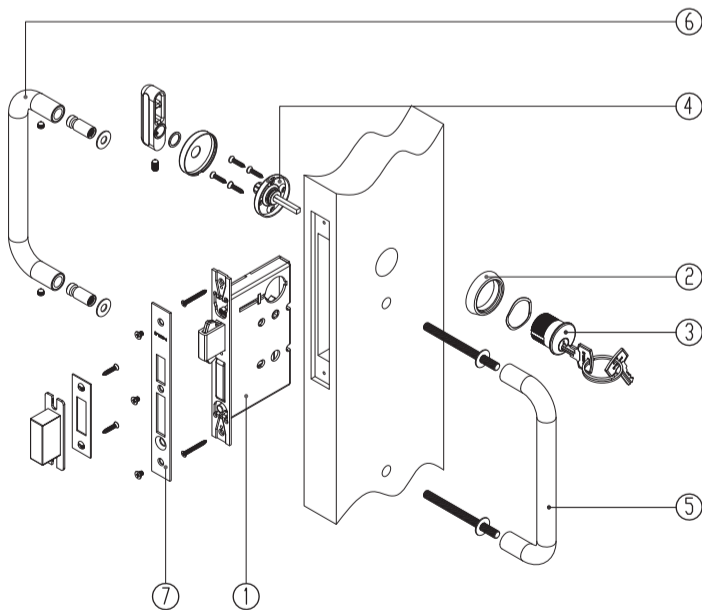
## 8000 Series Pocket Door Lock Set Parts List: (With PHIX Surface Pull)



Items	No.	Parts Description	Function				
			Passage	Privacy	Entry	Patio	Dummy
Surface Pull Parts	1	Thumb-turn	-	1 EA	1 EA	1 EA	-
	2	M6 Set Screw for t-turn	-	1 EA	1 EA	1 EA	-
	3	Clear washer	-	1 EA	1 EA	1 EA	-
	4	Thumb-turn rose cover	-	1 EA	1 EA	1 EA	-
	5	#6 screws for Thumb-turn	-	8 EA	4 EA	4 EA	-
	6	Thumb-turn sub rose	-	1 EA	1 EA	1 EA	-
	7	Privacy Release sub rose	-	1 EA	-	-	-
	8	Privacy Release rose cover	-	1 EA	-	-	-
	9	Inside Surface Pull	1 EA	1 EA	1 EA	1 EA	1 EA
	10	M6 Set Screw for pull	2 EA	2 EA	2 EA	2 EA	2 EA
	11	Outside Surface Pull	1 EA	1 EA	1 EA	1 EA	1 EA
	12	Washer	4 EA	4 EA	4 EA	4 EA	4 EA
	13	Thru-bolt	2 EA	2 EA	2 EA	2 EA	2 EA
	14	Thru-bolt adaptor	2 EA	2 EA	2 EA	2 EA	2 EA
Locks	15	Mortise Pocket Lock	1 EA	1 EA	1 EA	1 EA	-
	16	Armored Faceplate	1 EA	1 EA	1 EA	1 EA	-
	17	#8 screws for Inner Faceplate	2 EA	2 EA	2 EA	2 EA	-
	18	#8 screws for Armored Faceplate	3 EA	3 EA	3 EA	3 EA	-
	19	Striking Plate	1 EA	1 EA	1 EA	1 EA	-
	20	Dust Box	1 EA	1 EA	1 EA	1 EA	-
	21	Screws for Striking Plate	2 EA	2 EA	2 EA	2 EA	-
	-	Cylinder Escutcheon	-	-	1 EA	-	-
Others	-	Mortise Cylinder	-	-	1 EA	-	-
	-	Key	-	-	2 EA	-	-
	-	Door Prep Template	1 EA	1 EA	1 EA	1 EA	1 EA
	-	Installation Instruction	1 EA	1 EA	1 EA	1 EA	1 EA

## PHIX Surface Pull with PD8000 Pocket Door Lock Installation Instructions:

### For Entry w/Single Cylinder Function: PD8350



1. Install mortise lockcase.

**▲ Note: Do NOT tighten faceplate screws until after installing cylinder.**

2. Screw on cylinder with escutcheon ring.

**Note: Key slot on cylinder should be on lower off-center position. See Section A-A.**

**Note: Using keys to test cylinder cam operates deadbolt smoothly.**

3. Use a screw driver to tighten yoke inside lock case through faceplate to fix the cylinder in position. See Section B-B

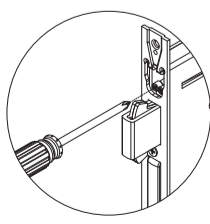
4. Mount privacy thumb-turn rose with 4x#6 screws. Mount rose cover and clear washer before mounting thumb-turn piece. Then tighten the set screw using allen key.

5. Install outside surface pull with 2 EA M8 thru-bolts and washer.

6. Tighten adaptors from inside to fixing the outside surface pull.

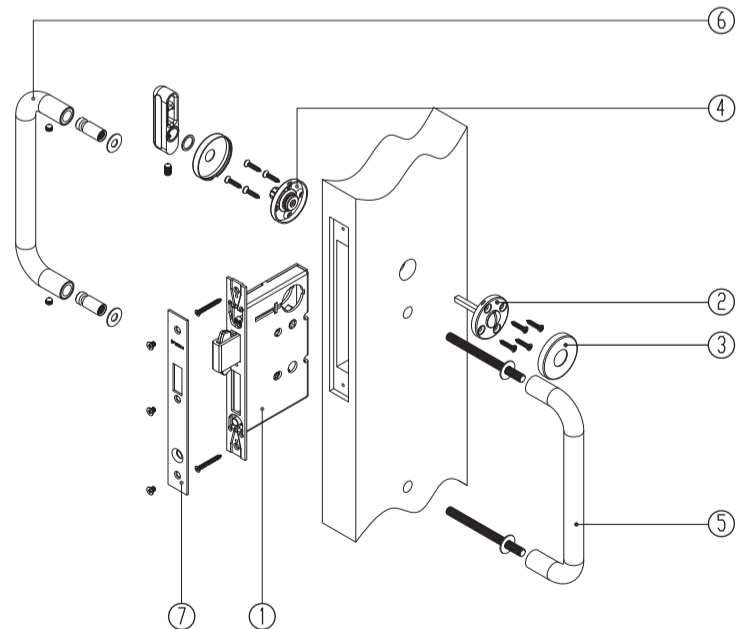
Install inside surface pull and tighten set screws inside it using allen key.

7. Install armored faceplate with screws.



B-B

### For Privacy, Patio, Passage w/Lockcase as Dust Proof Strike, Dummy w/o Lock Case Function: PD8340, PD8360, PD8215, DP



1. Install mortise lockcase.

2. For privacy function, mount privacy release rose with 4x#6 screws.

3. For privacy function, mount the privacy release rose cover.

**Note: Patio, Passage, Dummy function do not require privacy release outside.**

4. For privacy/patio function, mount privacy thumb-turn rose with 4x#6 screws. Mount rose cover and clear washer before mounting thumb-turn piece. Then tighten the set screw using allen key.

**Note: Passage, Dummy function do not require thumb-turn inside.**

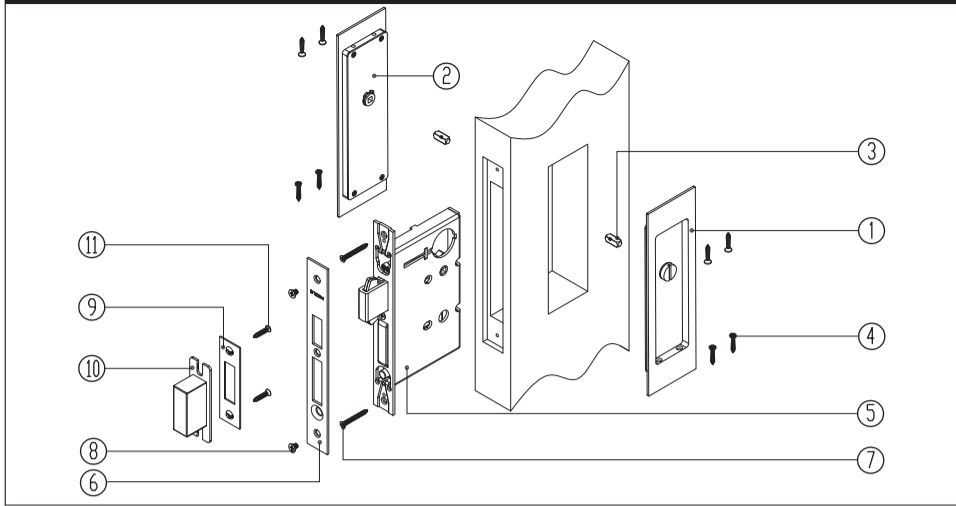
5. Install outside surface pull with 2 EA M8 thru-bolts and washer.

6. Tighten adaptors from inside to fixing the outside surface pull.

Install inside surface pull and tighten set screws inside it using allen key.

7. Install armored faceplate with screws.

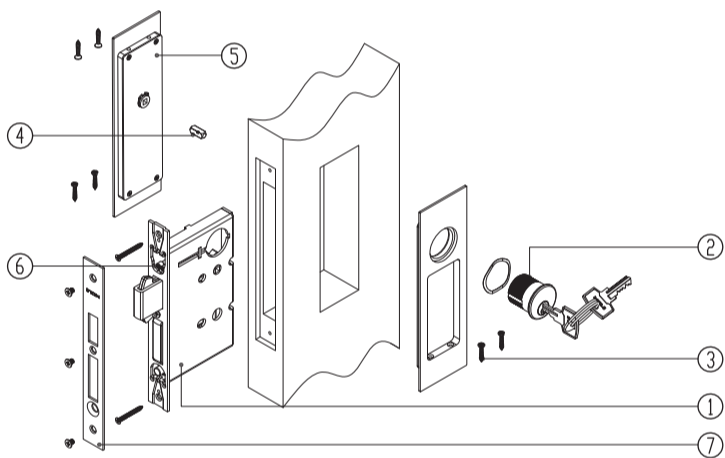
## 8000 Series Pocket Door Lock Set Parts List: (With FH27/FH29/FH31/FH32 Flush Pull)



Items	No.	Parts Description	Function				
			Passage	Privacy	Entry	Patio	Dummy
Flush Pull Parts	1	Outside Flush Pull	1 EA	1 EA	1 EA	1 EA	1 EA
	2	Inside Flush Pull	1 EA	1 EA	1 EA	1 EA	1 EA
	3	Spindle	-	2 EA	1 EA	1 EA	-
	4	#6 Wood Screw	8 EA	8 EA	6 EA	8 EA	8 EA
Locks	5	Mortise Pocket Lock	1 EA	1 EA	1 EA	1 EA	-
	6	Armored Faceplate	1 EA	1 EA	1 EA	1 EA	-
	7	#8 screws for Inner Faceplate	2 EA	2 EA	2 EA	2 EA	-
	8	#8 screws for Armored Faceplate	3 EA	3 EA	3 EA	3 EA	-
	9	Striking Plate	1 EA	1 EA	1 EA	1 EA	-
	10	Dust Box	1 EA	1 EA	1 EA	1 EA	-
	11	Screws for Striking Plate	2 EA	2 EA	2 EA	2 EA	-
Others	-	Mortise Cylinder	-	-	1 EA	-	-
	-	Key	-	-	2 EA	-	-
Others	-	Door Prep Template	1 EA	1 EA	1 EA	1 EA	1 EA
	-	Installation Instruction	1 EA	1 EA	1 EA	1 EA	1 EA

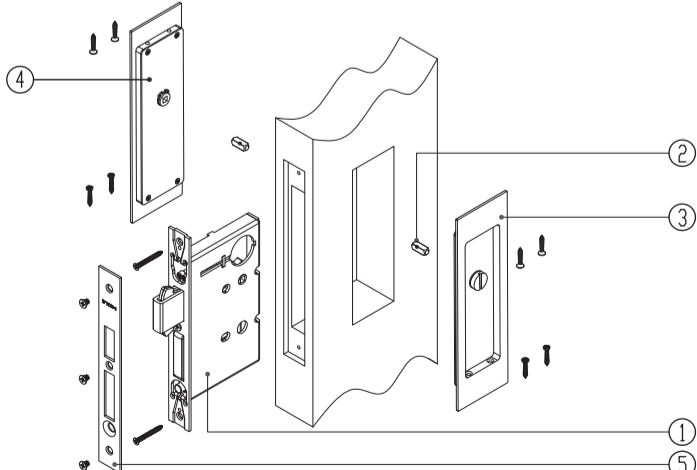
## FH27/FH29/FH31/FH32 Flush Pull with PD8000 Pocket Door Lock Installation Instructions:

For Entry w/Single Cylinder Function: PD8450



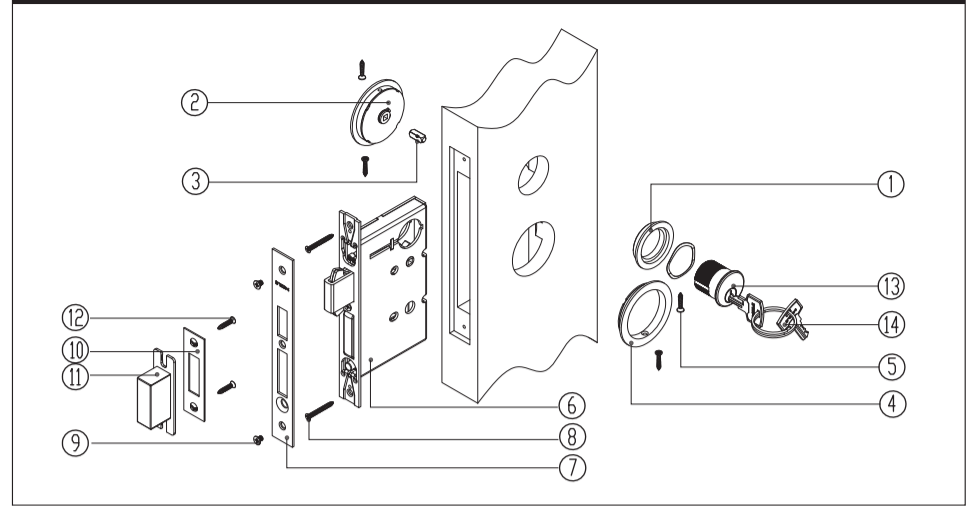
1. Install mortise lockcase.  
**▲ Note: Do NOT tighten faceplate screws until after installing cylinder.**  
 Then Pre-drill screw holes. Please refer to "Spindle & Trim Alignment Installation Notification". For outside trim, pre-drill screw holes. Use inside trim and spindle mount on outside door to get correct position.
2. Screw on cylinder (without key) with outside flush pull.  
**Note: Key slot on cylinder should be on lower off-center position. See Section A-A.**  
**Note: Use keys to test cylinder cam operates deadbolt smoothly.**
3. Fix outside flush pull with 2 EA #6 wood screws evenly.
4. Insert thumb-turn spindle into the spindle hole of mortise lockcase.
5. Install inside flush pull with 4 EA #6 wood screws evenly.
6. Use a screwdriver to tighten yoke inside lock case through faceplate to fix the cylinder in position. See Section B-B.
7. Install armored faceplate with screws.

For Privacy, Patio, Passage w/ Lockcase, Passage w/ Lockcase as Dust Proof Strike, Dummy w/o Lock Case Function: PD8440, PD8460, PD8010, PD8115, DP



1. Install mortise lockcase.  
**▲ Note: Do NOT tighten faceplate screws until after installing flush pulls.**  
 Then Pre-drill screw holes. Please refer to "Spindle & Trim Alignment Installation Notification".
2. Insert thumb-turn spindle into the spindle hole of mortise lockcase.
3. Install outside flush pull with 4 EA #6 wood screws evenly.
4. Install inside flush pull with 4 EA #6 wood screws evenly.  
**Note: Please ensure flush pulls on both sides are at vertical before tightening wood screws.**
5. Install armored faceplate with screws.

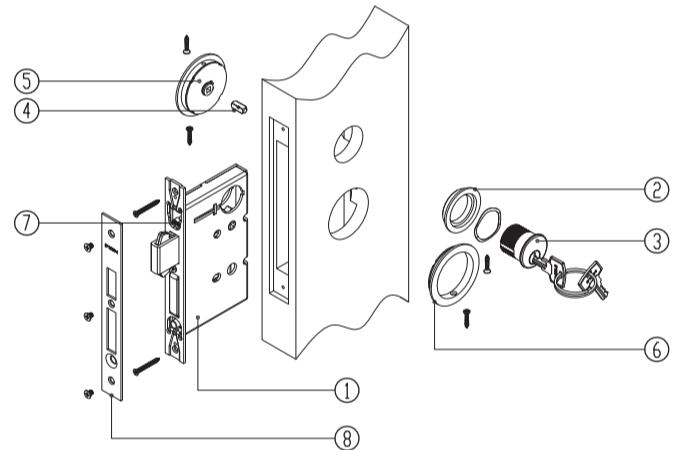
## 8000 Series Pocket Door Lock Set Parts List: (With FH22/FH23 Flush Pull)



Items	No.	Parts Description	Function				
			Passage	Privacy	Entry	Patio	Dummy
Flush Pull Parts	1	Outside Cylinder Flush Pull	-	-	1 EA	-	-
	2	Inside Flush Pull	1 EA	1 EA	1 EA	1 EA	1 EA
	3	Spindle	-	2 EA	1 EA	1 EA	-
	4	Outside Flush Pull	1 EA	1 EA	1 EA	1 EA	1 EA
Locks	5	#6 Wood Screw	4 EA	4 EA	4 EA	4 EA	4 EA
	6	Mortise Pocket Lock	1 EA	1 EA	1 EA	1 EA	-
	7	Armored Faceplate	1 EA	1 EA	1 EA	1 EA	-
	8	#8 screws for Inner Faceplate	2 EA	2 EA	2 EA	2 EA	-
	9	#8 screws for Armored Faceplate	3 EA	3 EA	3 EA	3 EA	-
	10	Striking Plate	1 EA	1 EA	1 EA	1 EA	-
	11	Dust Box	1 EA	1 EA	1 EA	1 EA	-
Others	-	Screws for Striking Plate	2 EA	2 EA	2 EA	2 EA	-
	-	Mortise Cylinder	-	-	1 EA	-	-
	-	Key	-	-	2 EA	-	-
Others	-	Door Prep Template	1 EA	1 EA	1 EA	1 EA	1 EA
	-	Installation Instruction	1 EA	1 EA	1 EA	1 EA	1 EA

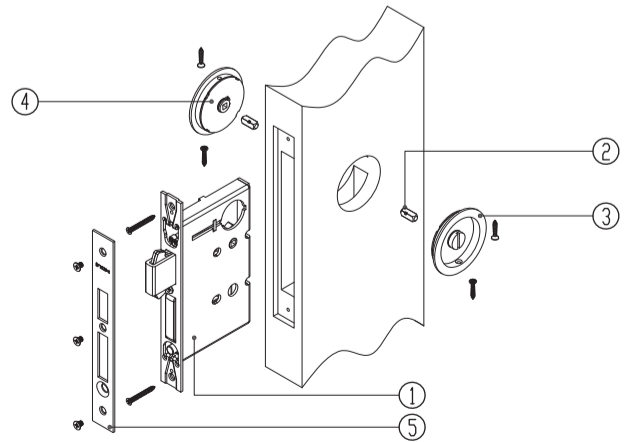
## FH22/FH23 Flush Pull with PD8000 Pocket Door Lock Installation Instructions:

For Entry w/Single Cylinder Function: PD8450



1. Install mortise lockcase.  
**▲ Note: Do NOT tighten faceplate screws until after installing cylinder.**  
 Then Pre-drill screw holes. Please refer to "Spindle & Trim Alignment Installation Notification".
2. Install outside cylinder flush pull.
3. Install outside cylinder without key.  
**Note: Key slot on cylinder should be on lower off-center position. See Section A-A.**  
**Note: Use keys to test cylinder cam operates deadbolt smoothly.**
4. Insert thumb-turn spindle into the spindle hole of mortise lockcase.
5. Install inside flush pull with 2 EA #6 wood screws evenly.
6. Install outside flush pull with 2 EA #6 wood screws evenly.
7. Use a screwdriver to tighten yoke inside lock case through faceplate to fix the cylinder in position. See Section B-B.
8. Install armored faceplate with screws.

For Privacy, Patio, Passage w/ Lockcase, Passage w/ Lockcase as Dust Proof Strike, Dummy w/o Lock Case Function: PD8440, PD8460, PD8010, PD8115, DP



1. Install mortise lockcase.  
**▲ Note: Do NOT tighten faceplate screws until after installing flush pulls.**  
 Then Pre-drill screw holes. Please refer to "Spindle & Trim Alignment Installation Notification".
2. Insert thumb-turn spindle into the spindle hole of mortise lockcase.
3. Install outside flush pull with 2 EA #6 wood screws evenly.
4. Install inside flush pull with 2 EA #6 wood screws evenly.  
**Note: Please ensure flush pulls on both sides are at right position before tightening wood screws.**
5. Install armored faceplate with screws.